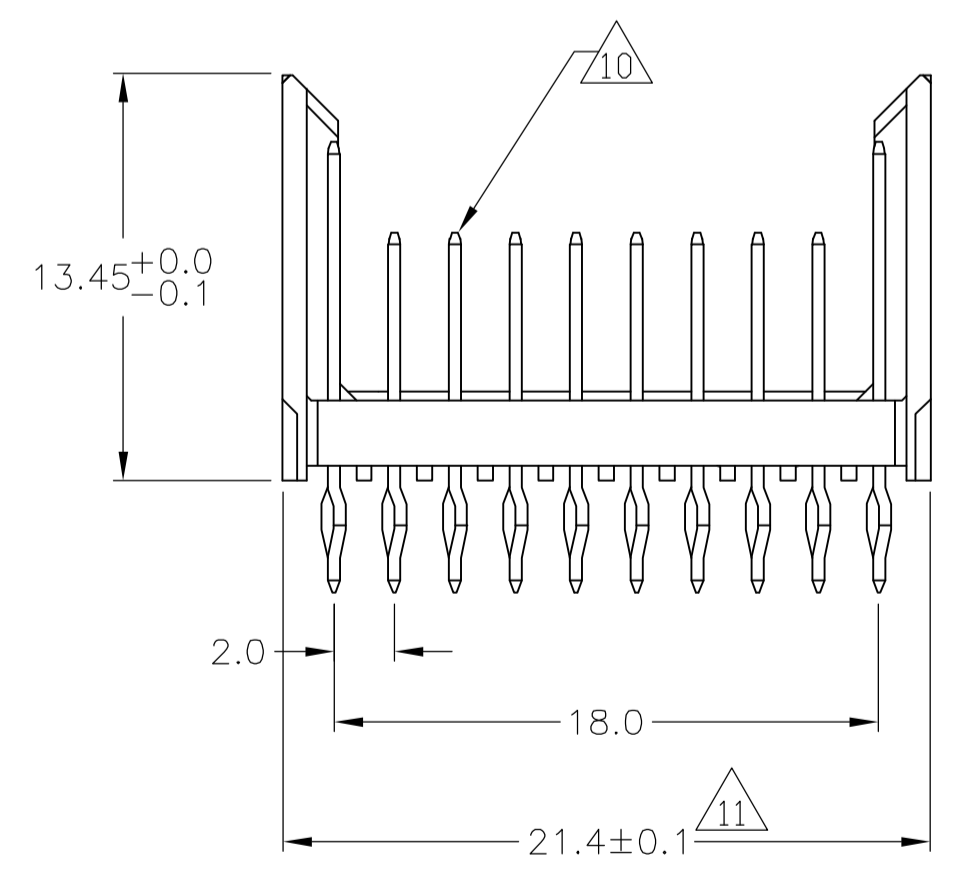
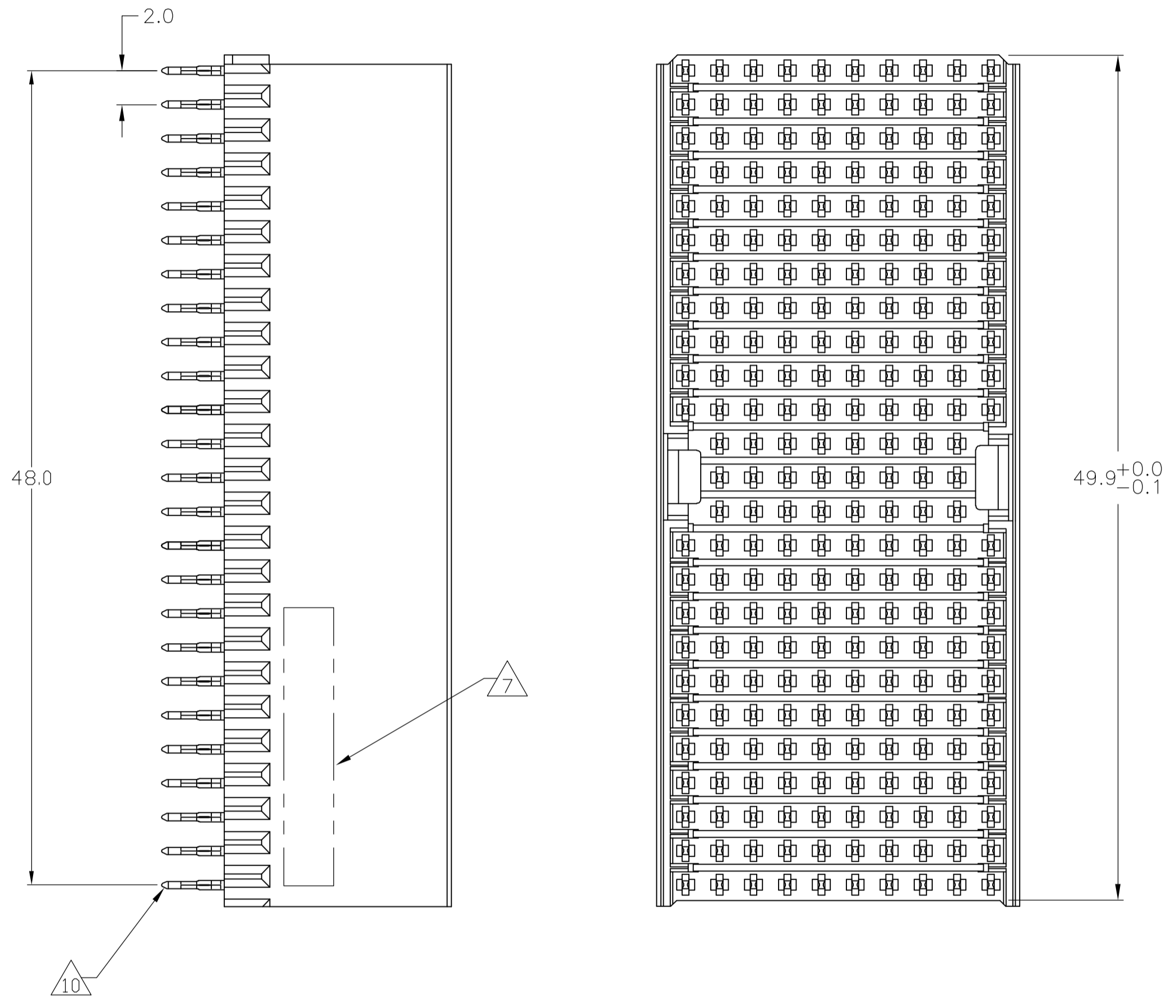
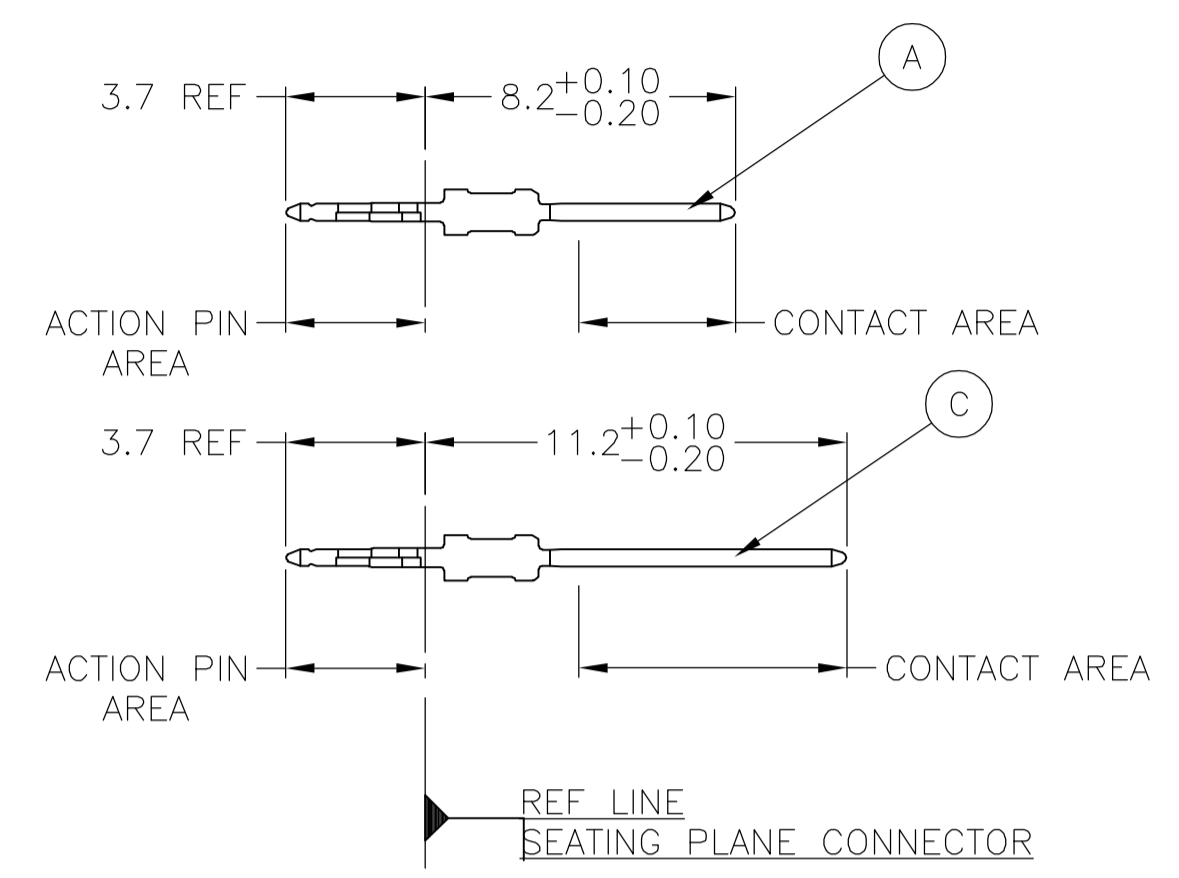


**CONNECTOR ASSEMBLY
 EXAMPLARY LOADED**



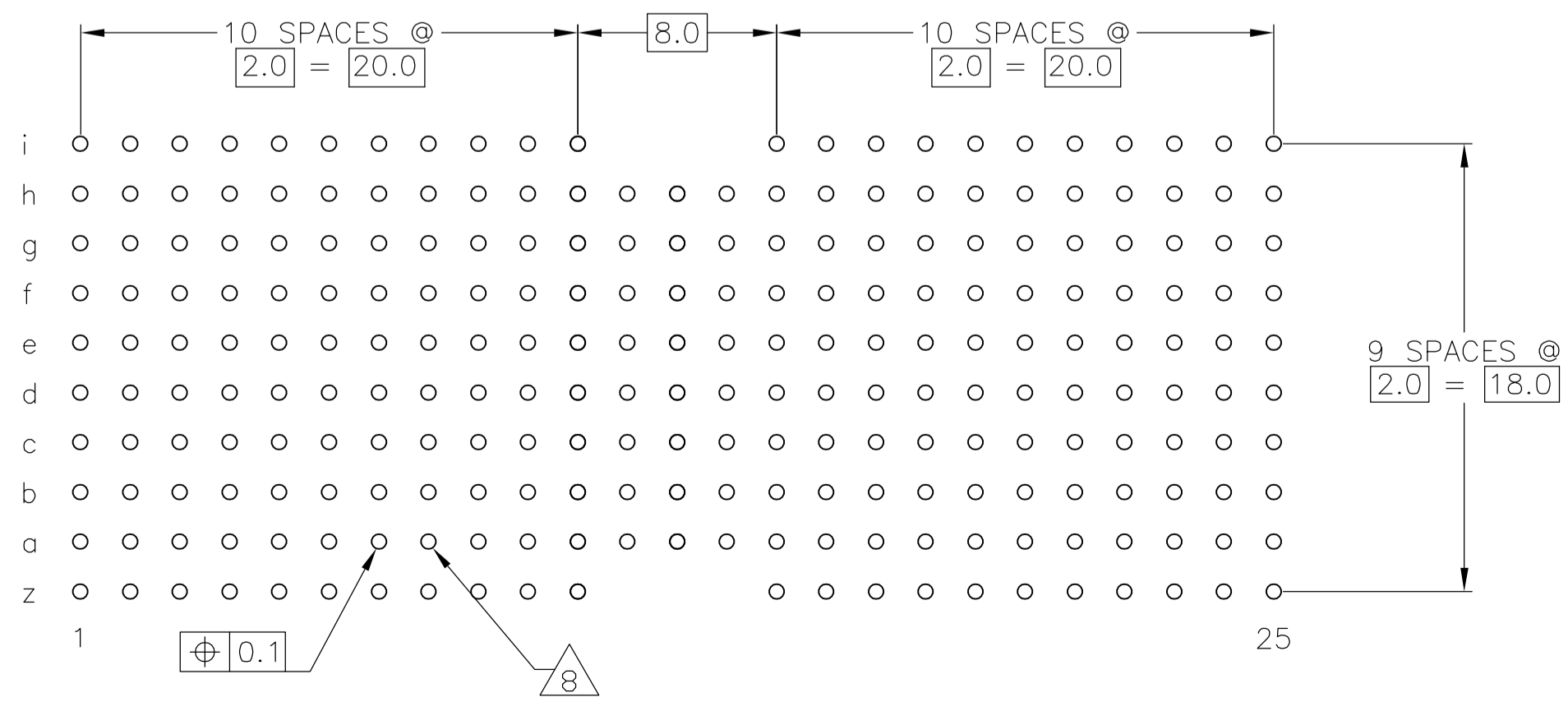
CONTACT DIMENSIONS
 SCALE 5:1



CONTACT LAYOUT

	z	a	b	c	d	e	f	g	h	i
1	C	A	A	A	A	A	A	A	A	C
2	C	A	A	A	A	A	A	A	A	C
3	C	A	A	A	A	A	A	A	A	C
4	C	A	A	A	A	A	A	A	A	C
5	C	A	A	A	A	A	A	A	A	C
6	C	A	A	A	A	A	A	A	A	C
7	C	A	A	A	A	A	A	A	A	C
8	C	A	A	A	A	A	A	A	A	C
9	C	A	A	A	A	A	A	A	A	C
10	C	A	A	A	A	A	A	A	A	C
11	C	A	A	A	A	A	A	A	A	C
12		A	A	A	A	A	A	A	A	
13		A	A	A	A	A	A	A	A	
14		A	A	A	A	A	A	A	A	
15	C	A	A	A	A	A	A	A	A	C
16	C	A	A	A	A	A	A	A	A	C
17	C	A	A	A	A	A	A	A	A	C
18	C	A	A	A	A	A	A	A	A	C
19	C	A	A	A	A	A	A	A	A	C
20	C	A	A	A	A	A	A	A	A	C
21	C	A	A	A	A	A	A	A	A	C
22	C	A	A	A	A	A	A	A	A	C
23	C	A	A	A	A	A	A	A	A	C
24	C	A	A	A	A	A	A	A	A	C
25	C	A	A	A	A	A	A	A	A	C

**RECOMMENDED PCB-HOLE LAYOUT
 COMPONENT SIDE SHOWN**



PLATED THRU HOLES PARAMETERS
 REFERENCE APPLICATION SPECIFICATION

2 6 12	1-5646951-9
2 5 12	5646951-9
2 4	5646951-4
2 3	5646951-1
FINISH	PART NUMBER

THIS DRAWING IS A CONTROLLED DOCUMENT.

DIMENSIONS: mm	TOLERANCES UNLESS OTHERWISE SPECIFIED:	DIN RICHARDSON BAUGOS	tyco Electronics	Tyco Electronics Corporation Harrisburg, Pa 17105-3608
0 PLC ± -	1 PLC ± 0.1	CHK G.SKIPPER BAUGOS	NAME	MALE ASSEMBLY, Z-PACK 2mm HM, TYPE D/E
2 PLC ± -	3 PLC ± -	APVD G.SKIPPER BAUGOS	PRODUCT SPEC	108-1622
4 PLC ± -	ANGLES ± -		APPLICATION SPEC	114-19029
MATERIAL	FINISH	WEIGHT	SIZE	CAGE CODE
	SEE TABLE		A1	00779
			DRAWING NO	5646951
			RESTRICTED TO	
			CUSTOMER DRAWING	SCALE 4:1
				SHEET 1 OF 2
				REV A

- 1 MATERIAL:
CONTACT: PHOSPHOR BRONZE.
HOUSING: GLASS-FILLED POLYESTER.
- 2 GENERAL PLATING SPECIFICATION: UNDERPLATING
(ENTIRE CONTACT): 1.27µm MIN NICKEL AND ACTION
PIN: 0.5µm MIN TIN.
FOR PLATING OF MATING SURFACES SEE APPLICABLE
SPECIFICATION REFERENCE FOR EACH DASH NUMBER.
- 3 CONFORMS TO ALL TESTING ACCORDING TO IEC 61076-4-101
PERFORMANCE LEVEL 2.
- 4 CONFORMS TO ALL TESTING ACCORDING TO IEC 61076-4-101
PERFORMANCE LEVEL 1.
- 5 CONNECTOR TESTED AND QUALIFIED AGAINST TELCORDIA GR-1217-CORE QUALITY LEVEL 3,
CENTRAL OFFICE APPLICATIONS.
- 6 CONNECTOR TESTED AND QUALIFIED AGAINST TELCORDIA GR-1217-CORE QUALITY LEVEL 3,
UNCONTROLLED ENVIROMENT APPLICATIONS.
- 7 CONNECTOR MARKED WITH PART NUMBER AND DATE CODE.
ADDITIONAL CHARACTERS OR MARKINGS, AS WELL AS THE LOCATION OF THE MARKINGS,
MAY BE ADDED FOR TRACEABILITY BASED UPON MANUFACTURERS DISCRETION.
- 8 PLATED-THROUGH HOLES AT 2x2mm SQUARE GRID
PATTERN DEFINED BY CONTACT LAYOUT.
- 9 FOR ACTUAL PIN LOADING SEE "CONTACT LAYOUT".
- 10 FOR ACTUAL PIN DIMENSIONS SEE "CONTACT DIMENSIONS".
- 11 TO BE MEASURED AT BOTTOM OF SHROUD.
- 12 CONNECTOR LUBRICATED WITH BELCORE APPROVED LUBRICANT,
TECHNICAL REFERENCE: TR-NWT-001217 ISSUE 1, SEP 1992.

THIS DRAWING IS A CONTROLLED DOCUMENT.		DWG R. RICHARDSON	BAUGOS	tyco Electronics	Tyco Electronics Corporation Harrisburg, Pa 17105-3608	
		CHK G. SKIPPER	BAUGOS			
DIMENSIONS: mm		TOLERANCES UNLESS OTHERWISE SPECIFIED:		APVD G. SKIPPER	BAUGOS	NAME MALE ASSEMBLY, Z-PACK 2mm HM, TYPE D/E
		0 PLC	± -	PRODUCT SPEC 108-1622		SIZE A1
		1 PLC	± 0.1	APPLICATION SPEC 114-19029		
		2 PLC	± -	RESTRICTED TO		
		3 PLC	± -	WEIGHT		5646951
		4 PLC	± -	CUSTOMER DRAWING		SCALE 4:1
MATERIAL SEE SHEET 1		FINISH SEE SHEET 1		SHEET 2 OF 2		REV A